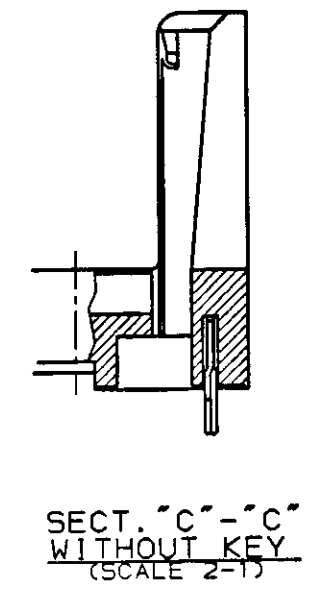
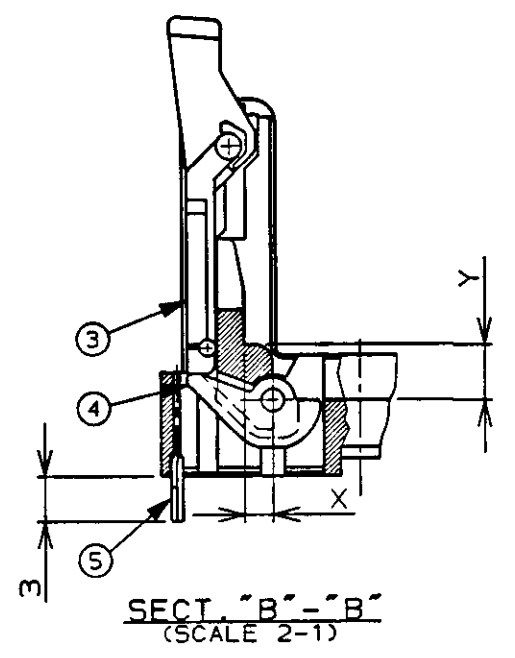
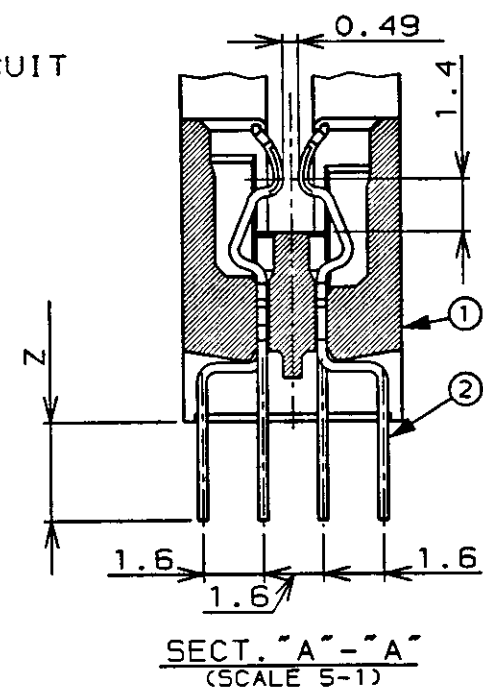
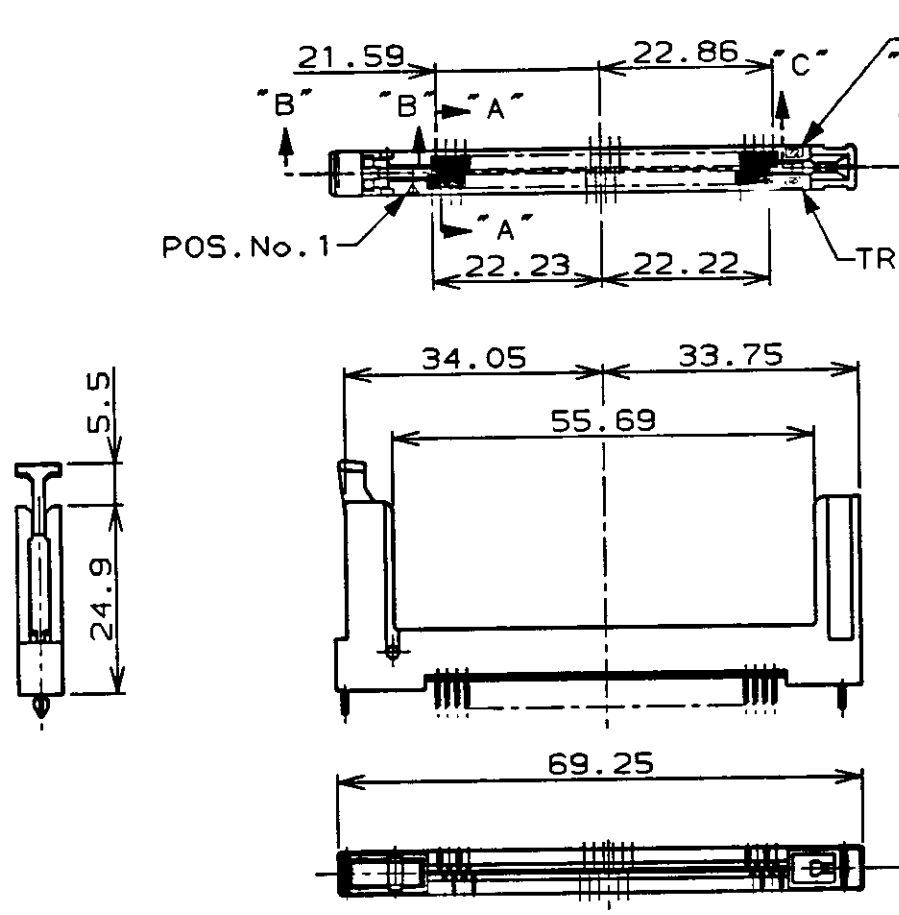
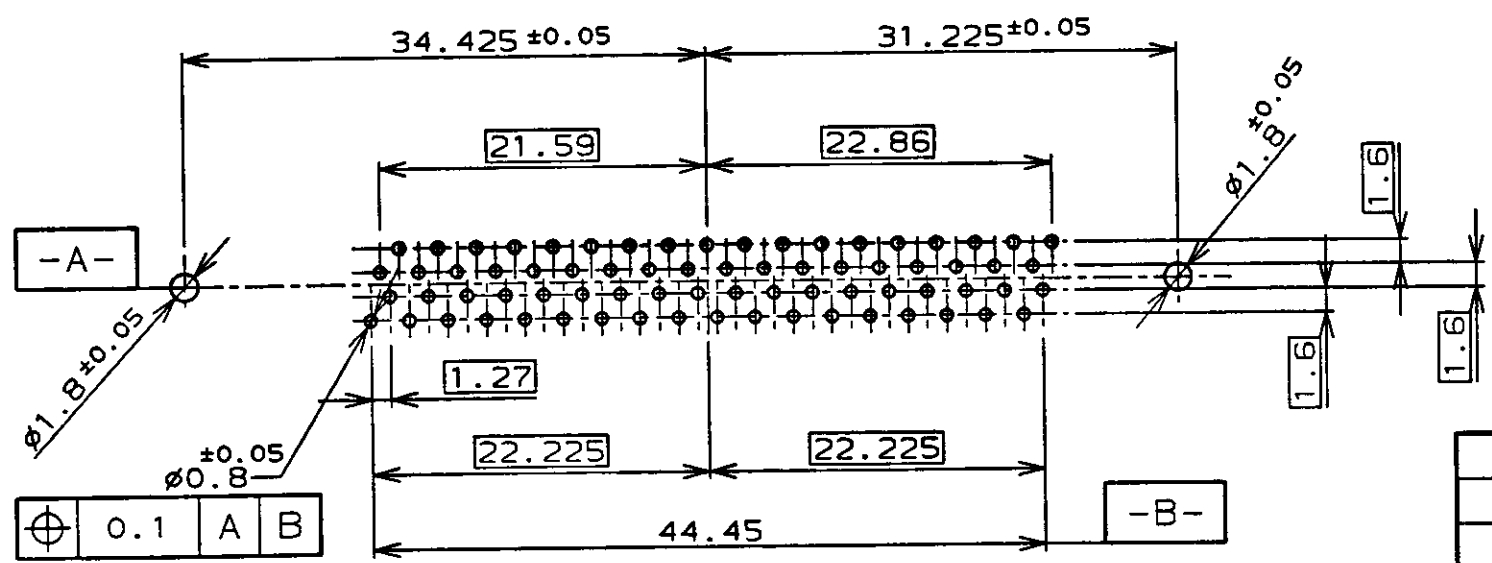


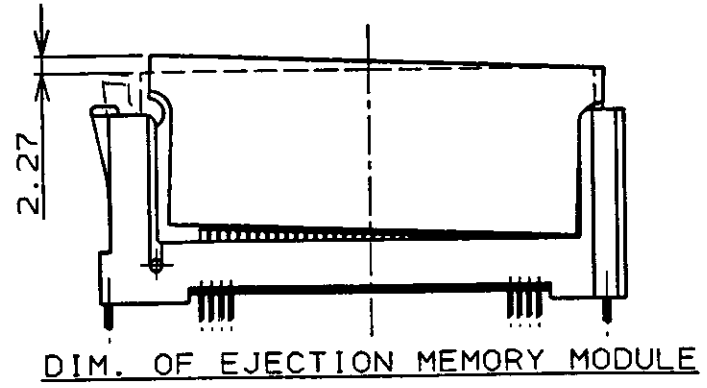
NUMBER C-179759  
三視図 (3rd ANGLE PROJECTION)  
METRIC



NOTES,  
 △ MATERIAL; HOUSING; L.C.P (HIGH TEMP THERMO PLASTIC) UL 94V-0, NATURAL.  
 CONTACT; PHOS-BRZ  
 ARM & PUSH BAR; PA 6T UL94V-0  
 △ FINISH; CONTACT AREA; 0.0003 MIN GOLD ON  
 0.0013 MIN ALL OVER NICKEL.  
 SOLDERING AREA; 0.001 MIN TIN-LEAD.  
 3. MODULE KEY POSITION OF CONNECTOR SEE TABLE.



MOUNTING LAYOUT (VIEW FROM CONN. MOUNTING SIDE)  
(SCALE 2-1)



DIM. OF EJECTION MEMORY MODULE

注記;  
 △ 材料; ハウジング; L.C.P (耐熱性熱可塑性樹脂) UL94V-0. 自然色.  
 コンタクト; 燐青銅  
 アーム及びプッシュバー; PA 6T UL94V-0  
 △ めっき仕様; 接触部 金めっき 0.0003 MIN 厚  
 ニッケル下地 0.0013 MIN 厚  
 半田付け部; 半田めっき 0.001 MIN 厚  
 3. コネクターのモジュールキーは表参照の事。

RETENTION LEG	(5)
ARM	(4)
PUSH BAR	(3)
CONTACT	(2)
HOUSING	(1)
PARTS	No.

BLACK	INEXIST	2	6.05	1.9	5V	A=2.03, B=6.35	5-179759-2
NATURAL	INEXIST	2	2.875	1.9	3.3V	A=2.03, B=3.175	5-179759-1
BLACK	INEXIST	2.6	6.05	1.9	5V	A=2.03, B=6.35	179759-2
NATURAL	INEXIST	2.6	2.875	1.9	3.3V	A=2.03, B=3.175	179759-1
COLOR OF PUSH BAR	KEY OF RIGHT SIDE	Z	Y	X	MODULE TYPE		PARTS No.

REVISION	DESCRIPTION	DATE	BY	CHK
E	REVISED	FJ00-4816-95	K.K.Y	
D	REVISED	FJ00-2224-95	K.K.Y	
C1	REVISED	FJ00-1379-94	T.K.I.E	
C	REVISED	FJ00-1397-94	T.K.I.E	
B	REVISED	FJ00-0841-94	T.K.I.E	
A	REVISED	FJ00-0723-94	T.K.I.E	
O	RELEASED	FJ00-0544-94	T.K.I.E	
LTR	変更 (REVISION RECORD)		DR	CHK

Copyright ©1994 AMP (Japan), LTD. ALL RIGHTS RESERVED.

**AMP**  
Tokyo, Japan

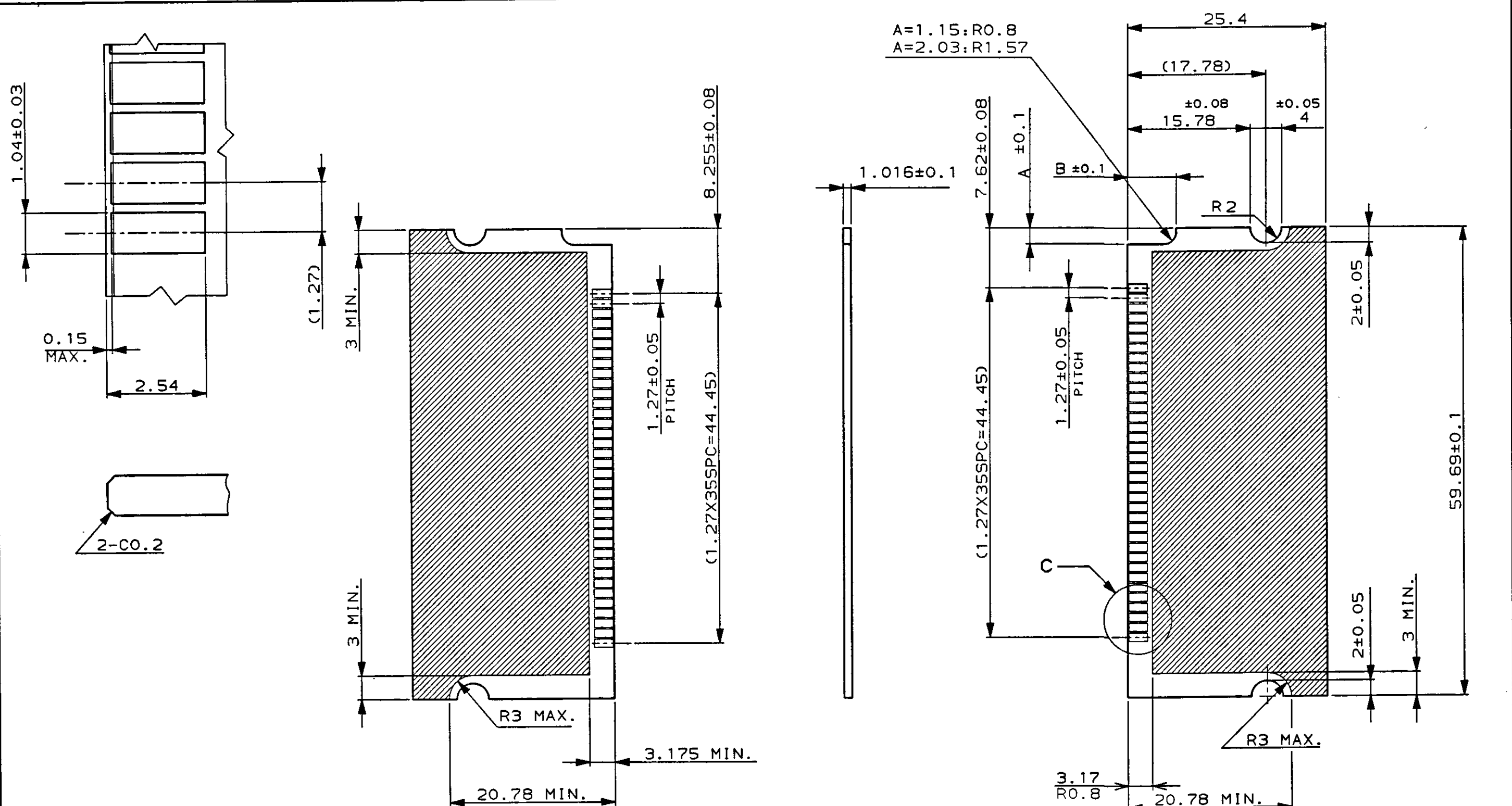
**M III VERTICAL DIMM SOCKET  
72P DIP TYPE**

名称 (NAME)	M III VERTICAL DIMM SOCKET 72P DIP TYPE	
一般公差 (GENERAL TOLERANCE)	LOC	番号 (No.)
10mm以下: ±0.2 10mm以上, 30mm以下: ±0.25 30mm以上, 100mm以下: ±0.3 角 度: ±3°	B J	C179759
尺度 (SCALE)	REV.	SHEET
1-1	E	1 OF 2

(CUSTOMER DRAWING) 参考 ☒ 面

NUMBER C-179759  
METRIC

PRINT DIST  
単位: mm DIMENSIONS IN MM. DO NOT SCALE PRINT



部品実装領域  
COMPONENT AREA

推奨基板 (SMALL OUTLINE SIMM) 寸法  
RECOMMENDED DIMENSIONS OF "SMALL OUTLINE SIMM" P.C. BOARD

Copyright ©1994 AMP (Japan), LTD. ALL RIGHTS RESERVED.		Copyright ©1994 AMP (Japan), LTD. ALL RIGHTS RESERVED.		AMP 東京五反田五丁目一丁目株式会社 Tokyo, Japan	
Wire Range (mm² (AWG -))		Insulation Dk. (mm)		Name (NAME) M II VERTICAL DIMM SOCKET RECOMMENDED P.C.B. LAYOUT	
Material (MATERIAL)		Finish (FINISH)		General Tolerance (一般公差) 10mm以下: ±0.2 10mm以上30mm以下: ±0.25 30mm以上100mm以下: ±0.3 角度: ±3°	
DR.		DE.		LOC B J	No. (番号) C-179759
CHK.		APP.		Scale (尺度) 2-1	REV. E
LTR. 変更 (REVISION RECORD)		DR. CHK. DATE		SHEET 2 OF 2	